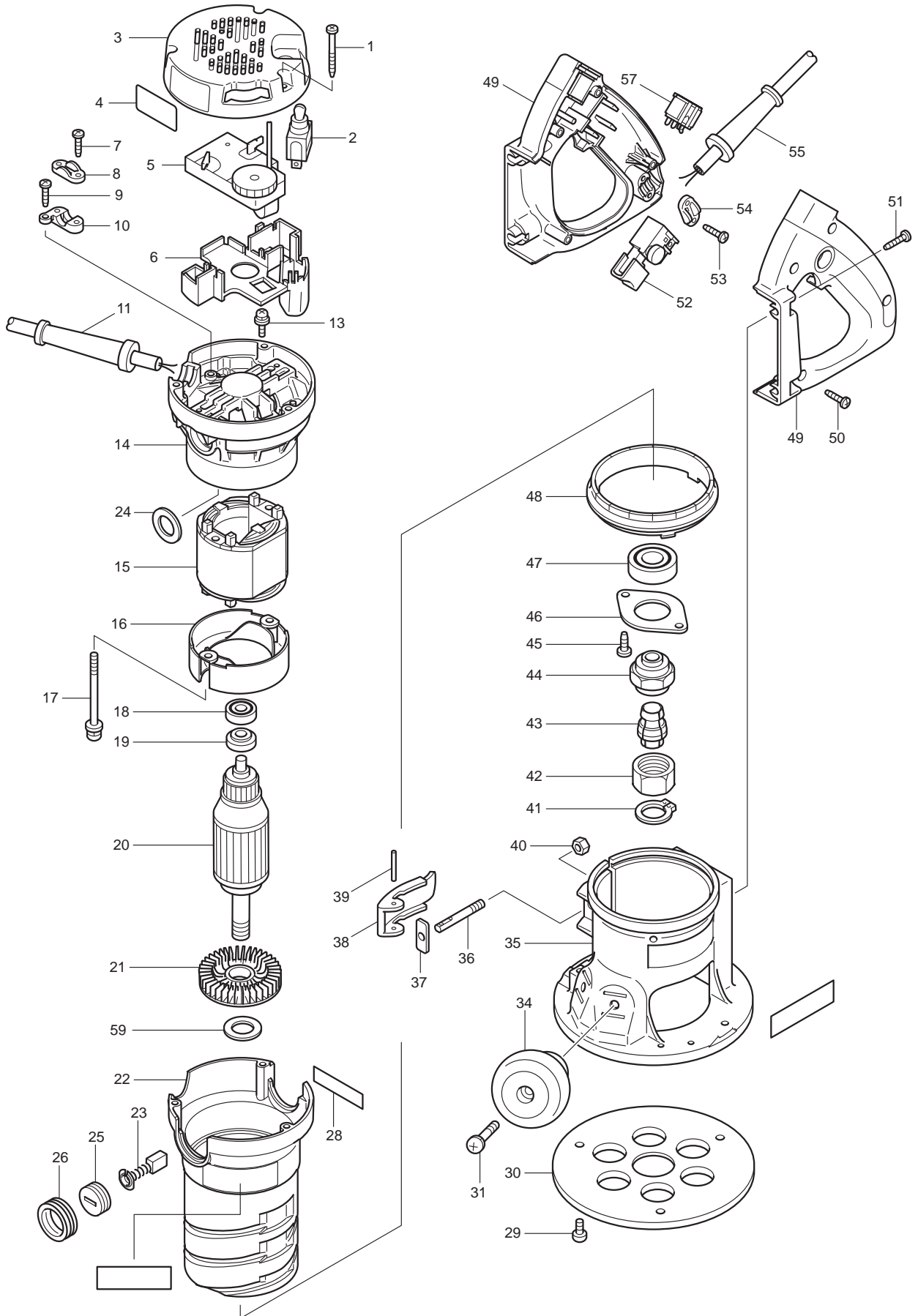




03 - 2010  
RD1101  
2-1/4 H.P ROUTER



Item No	Type	Ref	Part No	Description	Qty	Unit
1			266203-8	TAPPING SCREW BIND CT 4X40	3	PC.
2			651423-1	SWITCH	1	PC.
3			417140-1	REAR COVER	1	PC.
4			812990-3	INDICATION LABEL	1	PC.
5			631397-2	CONTROLLER	1	PC.
6			417143-5	CONTROLLER HOLDER	1	PC.
7			265995-6	TAPPING SCREW 4X18	2	PC.
8			687052-4	STRAIN RELIEF	1	PC.
9			266034-5	TAPPING SCREW CT 4X16	1	PC.
10			687100-9	STRAIN RELIEF	1	PC.
11			565055-7	CORD W/PLUG 3P-16-0.5M, SJ	1	PC.
		INC.	654110-1	INSULATED RECEPTACLE	1	PC.
		INC.	654113-5	TERMINAL 34108	1	PC.
		INC.	654117-7	INSULATING TERMINAL (OLD# 654037-5)	1	PC.
		INC.	682505-8	CORD GUARD 10-90	1	PC.
13			652014-1	PAN HEAD SCREW M4X8	1	PC.
14			151879-3	MOTOR REAR HOUSING COMPLETE	1	PC.
		INC.	643708-9	BRUSH HOLDER 5-11	2	PC.
15			594356-6	FIELD ASS'Y 115V	1	PC.
		INC.	654069-2	RECEPTACLE	1	PC.
		INC.	654020-2	RING TERMINAL	2	PC.
		INC.	654501-6	CONNECTOR P-1.25	2	PC.
16			417136-2	BAFFLE PLATE	1	PC.
17			911686-4	PAN HEAD SCREW M5X65	2	PC.
18			210005-4	BALL BEARING 608DDW	1	PC.
19			681650-6	INSULATION WASHER	1	PC.
20			518633-2	* ARMATURE ASS'Y 115V (OLD# 516406-7 - N/L/A)	1	PC.
		INC.		Item No. 18,19,21		
21			240031-9	FAN 60	1	PC.
22			317319-3	MOTOR HOUSING	1	PC.
23		1	191963-2	CARBON BRUSH CB-303 2PC/SET (W/O ORIGIN) -N/L/A	1	SET
		2	194996-6	CARBON BRUSH CB-303 2PC/SET (W/ ORIGIN)	1	SET
24			681009-7	WASHER	2	PC.
25			643750-0	BRUSH HOLDER CAP	2	PC.
26			681655-6	HOLDER RING	2	PC.
28			817365-1	CAUTION LABEL	1	PC.
29			265081-3	+ P.H.SCREW W3/16-24X10	3	PC.
30			417138-8	BASE PLATE	1	PC.
31			911378-5	PAN HEAD SCREW M6X55	1	PC.
34			271313-8	KNOB 55	1	PC.
35			151881-6	ROUTER BASE COMPLETE	1	PC.
	Opt.		193104-6	D-HANDLE BASE SET - See Parts breakdown 193104-6	1	PC.
36			323968-6	SUPPORT PIN	1	PC.
37			344852-2	PLATE	1	PC.
38			344851-4	LOCK LEVER	1	PC.
39			268063-4	PIN 4	1	PC.
40			252014-7	HEX. LOCK NUT M6-10	1	PC.
41			961056-7	RETAINING RING S-16	1	PC.
42			763642-8	COLLET NUT	1	PC.
44			763641-0	COLLET BODY	1	PC.
45			266035-3	TAPPING SCREW BIND CT 5X12	2	PC.
46			285689-7	BEARING RETAINER 55	1	PC.

Item No	Type	Ref	Part No	Description	Qty	Unit
47			211228-7	BALL BEARING 6202DDW	1	PC.
48			417137-0	SCALE RING	1	PC.
49			183218-9	HANDLE SET	1	PC.
50			265995-6	TAPPING SCREW 4X18	4	PC.
51			266036-1	TAPPING SCREW BIND CT 5X20	4	PC.
52			651284-9	SWITCH SGEL115CDY-6	1	PC.
53			265995-6	TAPPING SCREW 4X18	2	PC.
54			687052-4	STRAIN RELIEF	1	PC.
55			565054-9	CORD W/PLUG 3P-16-2.8M	1	PC.
		INC.	654086-2	RECEPTACLE	1	PC.
		INC.	654117-7	INSULATING TERMINAL	1	PC.
		INC.	654211-5	INSULATED RECEPTACLE	1	PC.
		INC.	682505-8	CORD GUARD 10-90	1	PC.
57			655116-2	OUTLET	1	PC.
59			253853-8	FLAT WASHER 15	1	PC.
60			534044-3	LEAD ASS'Y	1	PC.
		INC.	654117-7	INSULATING TERMINAL	1	PC.
		INC.	654206-8	INSULATED RECEPTACLE	1	PC.
100			654037-5	INSULATING EYE TERMINAL (OLD)	1	PC.
102			652008-6	P.H. SCREW M3.5X7	4	PC.
107			686015-7	RECEPTACLE SLEEVE (OLD)	1	PC.
109			654198-1	INSULATED TERMINAL	1	PC.

#### ACCESSORIES

- See catalogue or visit [www.makita.ca](http://www.makita.ca) for more optional accessories -

A01			781031-5	WRENCH 27	2	PC.
A02			193214-9	COLLET CONE 1/4" (6.35)	1	PC.
A03			193215-7	COLLET CONE 1/2" (12.7)	1	PC.
A04			193073-1	STRAIGHT GUIDE	1	PC.
A05			193155-9	CLEAR BASE PLATE (2-1/2" HOLE)	1	PC.
A06			P-80009	DUST NOZZLE SET	1	PC.
A07			763805-6	COLLET SLEEVE 3/8"	1	PC.
A08			321492-3	TEMPLATE GUIDE ADAPTOR 30	1	PC.
A09			252627-4	NUT M30 (F/ TEMPLATE GUIDE ADAPTOR)	1	PC.

#### SERVICE CHANGES

##### 1. Changes on Armature Assy

Item No.	Description	Type 1	Type 2
20	Armature Assy 115V	516406-7	518633-2

